

Tubular Motor Specification



Warning

Before assembling and using the tubular motor, please carefully read the specification, in order to avoid the damage of the motor or injury of person.

Each of these products has a rigorous testing before leaving factory so you can assemble it as a whole and use with a safety. Prohibiting opening it and changing the inner parts without authorization (except adjusting limited replacement stroke), if not, we do not bear the sequent.

1. Tubular motor generally description

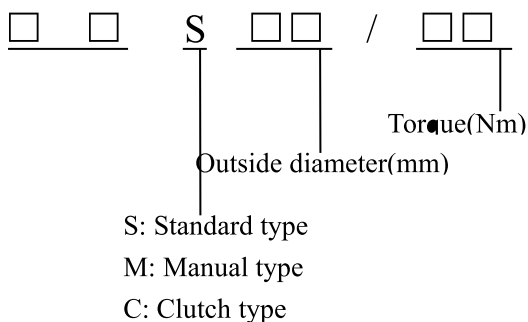
Our tubular motor, adopting advanced technology, is developed by our own company. There are four main parts of the motor: motor, break, gearbox, and limit switch. The motor can be widely used in awning, roller blinds, garage door, projection screen, etc.

Features:

- Small, light and low noise, hidden.
- Stable and durable limit switch makes sure the motor has excellent performance for long.
- Thermal Protector can make the tubular motor stop automatically when working temperature is over 130°C. When the temperature goes down (about 15 minutes), the motor can work again.
- Perfect shape, simple operation, convenient to assemble.
- The rate of insulation is H.

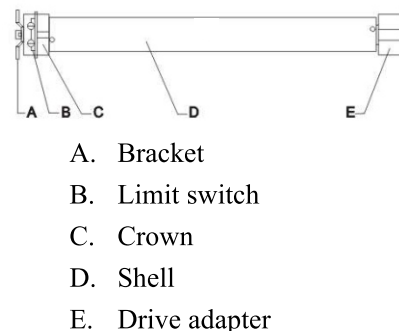
2. Name and Structure

A. Name (see Pic 1)



Pic 1

B. Structure (see Pic 2)

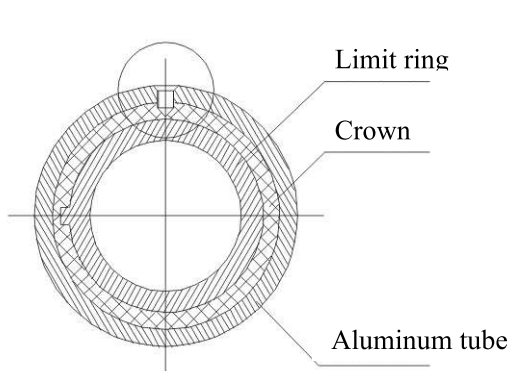


Pic 2

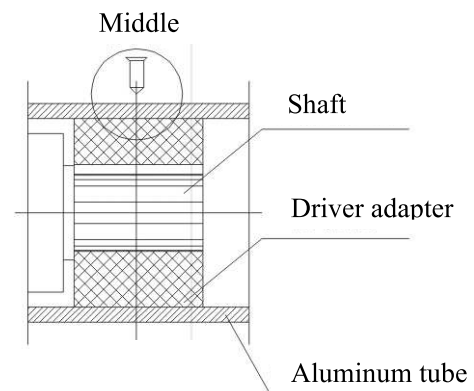
3. Installation

A. Motor and Aluminum Tube Instruction

- a. Set the crown and drive adapter into the fixed place on the motor and ensure the slot in the crown and the drive key on the Limit ring fix compactly. The driver adapter is fixed by the clip spring.
- b. Insert tubular motor into Aluminum Tube. The crown should match with the Aluminum Tube completely. If using round Aluminum Tube, the crown and Aluminum Tube must be fixed by screws or rivets. Note: The screws which fix the crown must not reach the limit ring (see Pic 3); the rivets which fix the driver must be installed as Pic 4 and should be equi-spaced around the Aluminum Tube on one circle; if the octagonal Aluminum Tube is used, it depends whether need rivets or not.
- c. Inset the end cap into the end of Aluminum Tube and fix.



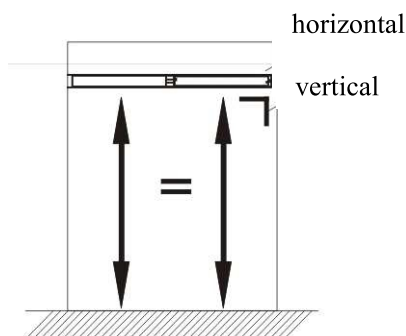
Pic 3



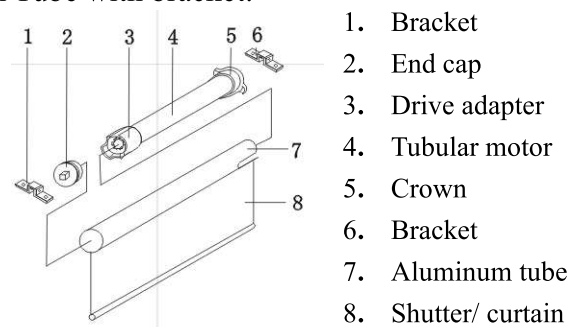
Pic 4

B. Installation

- a. Before installation, the horizontal and vertical measuring must be made.
- b. Firstly fix the bracket into the end board, and then fix the end board and the orbit into the wall.
- c. Install the Aluminum Tube into the bracket. Make sure the Aluminum Tube is horizontal and is vertical with the door and window.
- d. Use the unlock dowel to fix the Aluminum Tube with bracket.



Pic 5



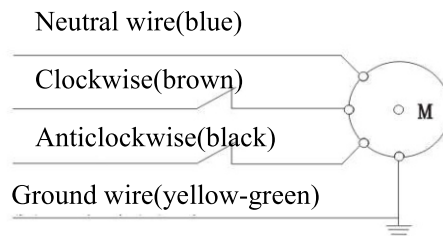
Pic 6

C. Installation of window shutter and transmission shaft

- a. Connect the wire according to Pic 8. Switch the power. After the motor stops running at one direction (the close state), cut off the power
- b. Put he shutter into the orbit from the above the Aluminum Tube. After that the window should be in the close state.

- c. Fixing the shutter and Aluminum Tube: first fix the place where install the screws, which should be equi-spaced in Aluminum Tube line. Make sure the shutter doesn't curl after being fixed. Ensure the screw not reach the face of the tubular motor.
- d. Make sure the connection between shutter and Aluminum Tube is Ok and the force bearing is balanced.
- e. The installation of tubular motor, Aluminum Tube and shutter see Pic 6.

D. Wire Connection (see Pic7)




(Standard type)

Pic 7

Notice:

For safety, must check the insulated antenna out of the motor before installation must connect the wires (L and N) correctly

E. Limit Switch Adjustment

- a. Switch the power, and the shutter will rise. Adjust the limit switch according to the mark on the limited switch. () means the motor's clockwise and anti-clockwise running; Use the adjusting pole to adjust at '+ ' direction and the journey of the shutter will increase; Use the adjusting pole to adjust at '- ' direction the journey of the shutter will reduce. Repeat re-adjustment till settings are satisfactory.
- b. Adjust the limit switch according to the mark in the operation. The motor may be damaged if wrong adjusted.

4. M type

M type (Manual type)

To M type motor, when the power is unavailable, the motor can work through operating the hand crank. Connect one end of the link with the handle worm and the end with the hand crank, then the door can realize rise and down by operating the hand crank.

M type motor also can realize out door operation under the help of wall-cross lock. Connect the universal-join linking stick with the handle worm, then insert one end of the linking stick and wall-cross stick in to the speed-reduce institution (fixed on the wall) respectively. At last the wall-cross stick can be derived through turning around the hand crank to realize the work of the motor.

5. Notice for the safety

- a. Fixation and maintenance for the motor should be implemented by the authorized person.
- b. After opening the package, check the motor to make sure whether it appears deformation, damage and the accessory is completely attached
- c. The electrical outlet must include the grounding wire connection terminal and it should be connected with the ground fully.
- d. The motor should be done a test on the condition of no load, and insure that it does not appears abnormal noise.

6. Trouble Shoot

S.N	Trouble	Reason	Solution
1	Tubular motor can not run or start too slowly or with big noise.	1.Incorrect line connection. 2.Wrong installation or over weight. 3.The voltage is too low.	1.Check the lines. 2.Correct the installation. 3.Check the load.
2	Tubular motor stops running when working.	1.Reach the max limit switch. 2.Working time lasts too long.	1.Adjust the limit switch according to illustration. 2.Start after cooling the tubular motor for 30 minutes.
3	The set limit switch can not satisfy the requirements.	The set limit switch is not suitable to the customer's requirements.	Adjust the limit switch according to the illustration.

7. Quality Guarantee

We provide our products for 5 years quality guarantee (valid within 5 years from the date of leaving factory). During the guarantee period, our company is responsible for any qualities problems except caused by customer's incorrect using, provides maintenance, replacing components or whole set of tubular motor free of charge.